

**PRODUCT CODE: DS4G**  
DISTANCE SADDLE



**DESCRIPTION**

1.5" Distance Saddle

**FINISH**

Hot Dipped Galvanised

**MATERIAL**

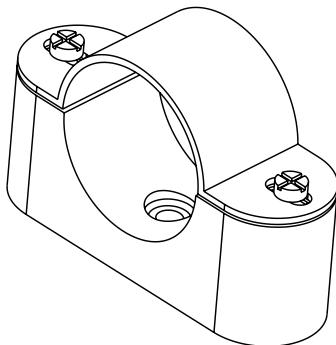
Body: Cast / Strap: Pressed Steel

**PACKAGING**

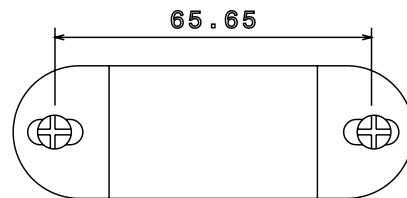
Packed in qty 25

**ADDITIONAL NOTES**

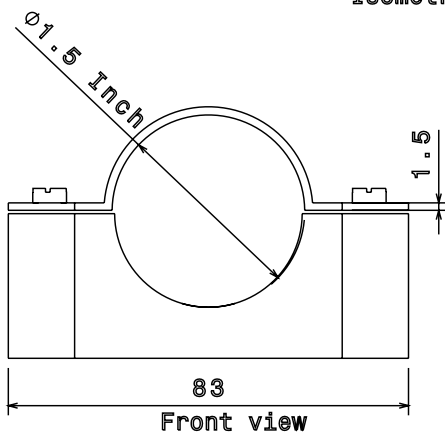
Conforms to BS EN61386-1  
Compliant to LU Standard 1-085 (for use on surface & sub-surface locations)  
Comprises; body, strap and 2 x screws



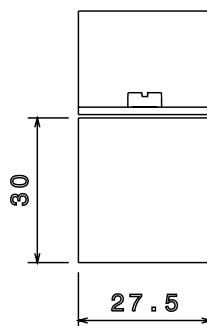
Isometric view



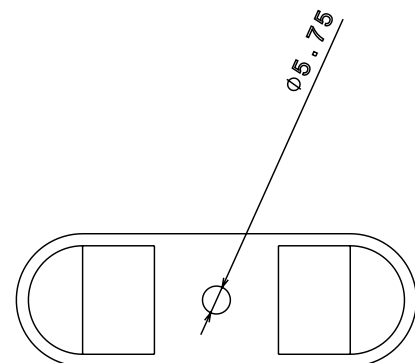
Top view



Front view



Side view



Bottom view